







Paver Pedestal System 1

Model Code	Height Range	Your Price	Info for Accessories	
CX-MB-T0-B	28-42mm	\$4.15/Set 	2mm shim	 x1
			3.5mm Thickness Spacer Tab	 x1
			26mm T-head + 22mm T-Base	 x1
CX-MB-T0-C	40-65mm	\$5/set 	2mm shim	 x1
			3.5mm Thickness Spacer Tab	 x1
			38mm T-head + 33mm T-base	 x1
CX-MB-T0-D	60-105mm	\$6/set 	2mm shim	 x1
			3.5mm Thickness Spacer Tab	 x1
			60mm T-head + Fix collar + 53mm T-base	 x1

Model Code	Height Range	Price	Info for Accessories	
CX-MB-T0-E	90-185mm	<p style="text-align: center;">\$7.4/set</p> 	2mm shim	 x1
			3.5mm Thickness Spacer Tab	 x1
			80mm T-head + Fix collar + Adjustment Ring + 75mm T-base	 x1

***** You need 3.3 pedestals for 10-11sf 24" x 24" tiles**



Paver Pedestal System 2 - Rise It

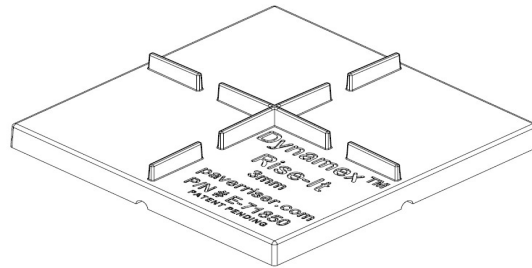


RISE IT

Paver Pedestal System for Ceramic & Porcelain Pavers

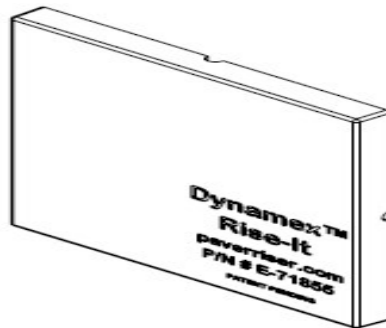
3mm Rise-it Pedestal

- CX-E-71850
- ½" Thick | 24 X 24 or larger | 3mm Spacing to mimic Standard Grout Line
- 1 Box = 100 pcs | 1 Pallet = 30 Boxes or 1 Pallet = 3,000 pcs.
- \$2.00/PC



Flat Top Rise-it Pedestal

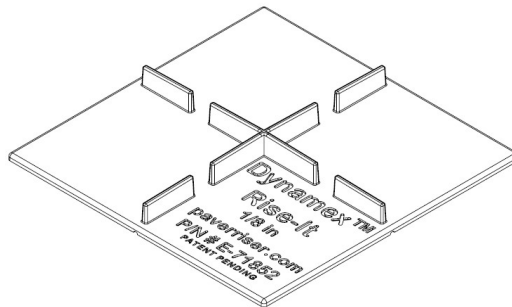
- CX-E-71855
- ½" Thick | 24 X 48 or larger | extra support/ noise reduction
- 1 Box = 100 pcs | 1 Pallet = 30 Boxes or 1 Pallet = 3,000 pcs
- \$1.78/PC





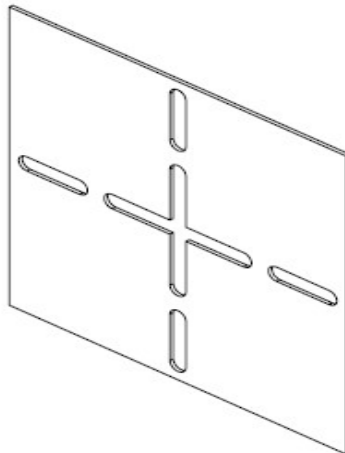
1/8" Rise-it Pedestal

- CX-E-71852
- Used on Low Height Installs | Cost Effective per sqft | 1/8" Thick | 3mm spacer
- 1 Box = 100 pcs | 1 Pallet = 30 Boxes or 1 Pallet = 3,000 pcs
- \$1.30/PC



1/16" Thick standard Rise-it Shim

- CX-E-71851
- Used for Leveling and tackling drainage slope
- 1 Box = 400 pcs | typically added to pallets of 1/2" pads
- \$0.65/PC





1/8" Thick standard Rise-it Shim

- CX-E-71853
- Used for Leveling and tackling drainage slope
- 1 Box = 200 pcs | typically added to pallets of 1/2" pads
- \$0.95/pc

